
GuitarPCB Presents

Wylde Child – Deluxe Dual Combo

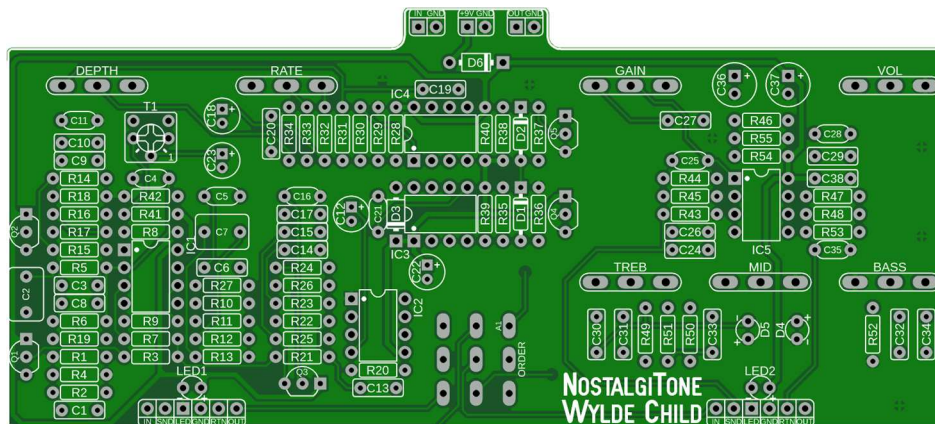
The **WyldeChild** brings together two iconic circuits—the BRIT-800 and the Analog Chorus—to deliver the unmistakable metal tones of the '90s, famously associated with Zakk Wylde and other legendary guitarists. The BRIT-800 provides the powerful, saturated distortion that defined that era's heavy sound, while the Analog Chorus adds depth and warmth, recreating the lush, swirling modulation that complements high-gain tones. This combination features order switching for two different chorus tones when used in tandem.

The **BRIT-800** is inspired by the Marshall circuit they designed to emulate their legendary JCM800 amplifier that defined an era. This circuit offers a wide range of saturated distortion and hot-rodded British tones, all with precise control over Level, Gain, Bass, Middle, and Treble—perfect for shaping your own distinctive sound.

The **Analog Chorus** inspired by the BOSS® CE-2 Chorus Ensemble captures the essence of the original pedal, famously used by David Gilmour and Eric Clapton. Renowned for its warm, rich analog chorus sound, it offers a milder modulation compared to its predecessor, the CE-1, ensuring the guitar tone remains sharp and well-defined. With just two knobs—Rate and Depth—it's simple to operate but provides captivating chorus effects, from subtle ambiance to lush modulation that works extremely well in tandem with distortion.

Key Features:

- **Classic 90s Metal Tones:** The BRIT-800 distortion delivers the saturated, high-gain tones synonymous with Zakk Wylde's signature sound, perfect for modern metal riffs and solos.
- **Dual Chorus Options:** Featuring order switching, this setup allows for two distinct Analog Chorus tones—one with subtle modulation and the other with a more pronounced, lush chorus effect to complement the distortion.

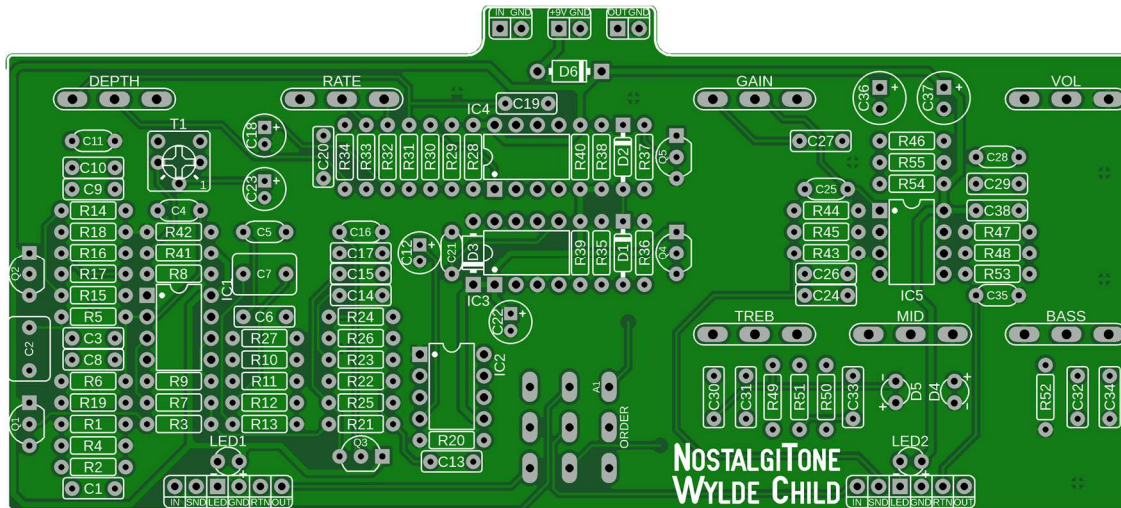


Order switching is built-in, with Ribbon Cable connections making wiring a breeze.

Ideal for a 1590XX or 1790NS (both are the same).

Included with each purchase. – (1) Mainboard, (2) ribbon cables, (2) wiring boards.

Main Board:

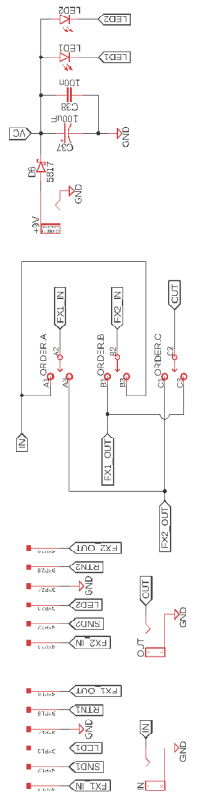
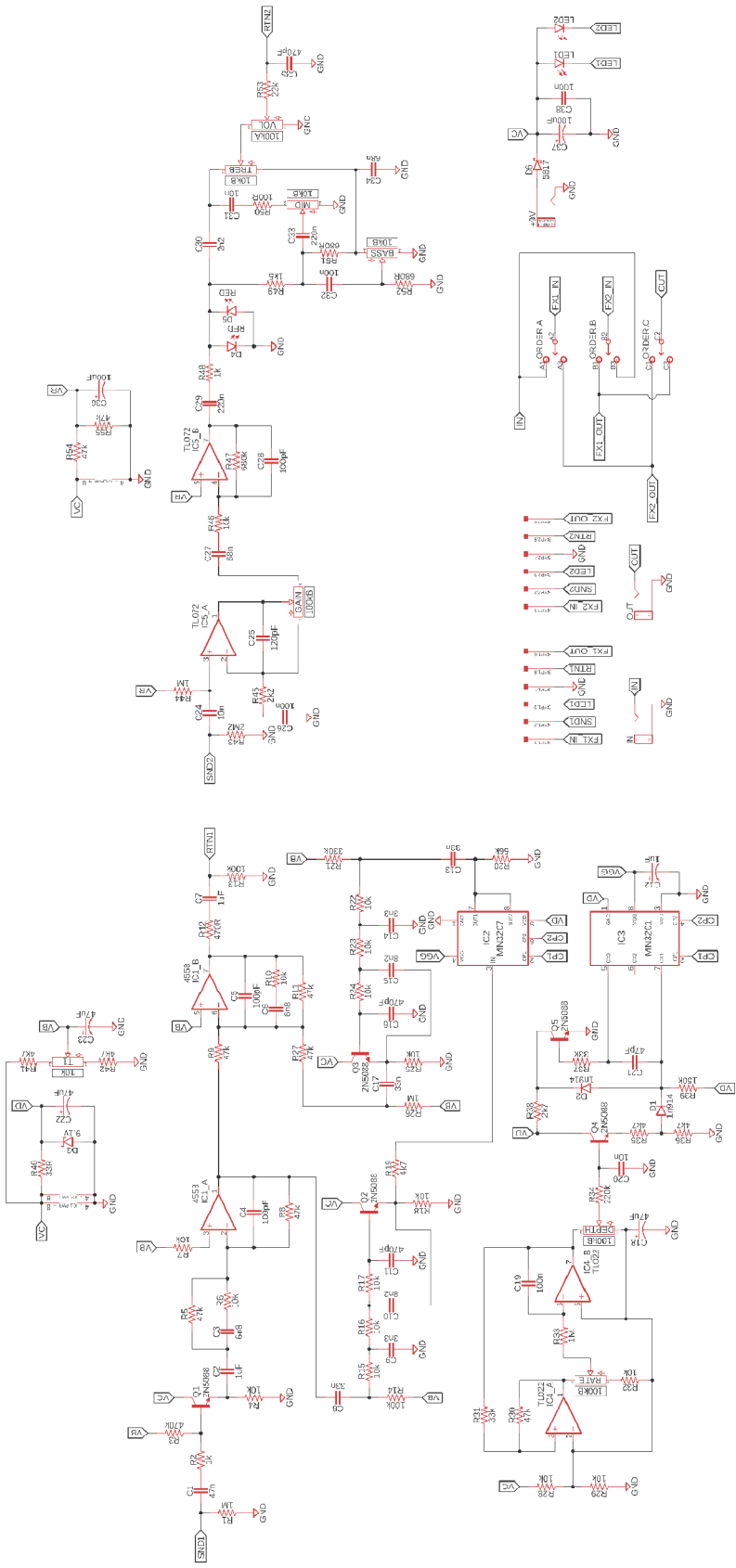


Bill of Materials:

Part	Value	Part	Value	Part	Value	Part	Value	Part	Value	Part	Value
R1	1M	R21	330k	R41	4k7	C5	100pF	C25	120pF	D1 - D2	1N914
R2	1k	R22	10k	R42	4k7	C6	6n8	C26	100n	D3	1N4739 9.1v
R3	470k	R23	10k	R43	2M2	C7	1uF	C27	68n	D4 - D5	RED LED
R4	10k	R24	10k	R44	1M	C8	33n	C28	100pF	D6	1N5817
R5	47k	R25	10k	R45	2k2	C9	3n3	C29	220n	Q1 - Q5	2N5088
R6	10k	R26	1M	R46	10k	C10	8n2	C30	2n2	Order switch	3PDT On-On
R7	10k	R27	47k	R47	680k	C11	470pF	C31	10n	T1 Trimmer	10k
R8	47k	R28	10k	R48	1k	C12	1uF	C32	100n	VOL	A100K
R9	47k	R29	10k	R49	1k5	C13	33n	C33	220n	GAIN	B100K
R10	10k	R30	47k	R50	100R	C14	3n3	C34	68n	BASS	B10K
R11	47k	R31	33k	R51	680R	C15	8n2	C35	470pF	MID	B10K
R12	470R	R32	10k	R52	680R	C16	470pF	C36	100uF	TREB	B10K
R13	100k	R33	1M	R53	22k	C17	33n	C37	100uF	RATE	B100K
R14	100k	R34	220k	R54	47k	C18	47uF	C38	100n	DEPTH	B100K
R15	10k	R35	4k7	R55	47k	C19	100n			LED1 - LED2	Status
R16	10k	R36	4k7			C20	10n	IC1	4558	* CLR x2	1k8 - 4k7
R17	10k	R37	33k	C1	47n	C21	47pF	IC2	V3207D		
R18	10k	R38	2k7	C2	1uF	C22	47uF	IC3	V3102D		
R19	4k7	R39	150k	C3	6n8	C23	47uF	IC4	TL022		
R20	56k	R40	33R	C4	100pF	C24	10n	IC5	TL072		

Important: Only use a 9-volt negative tip power supply to avoid damage.

- You need a 3PDT On-On toggle switch (Order)
- D1 – D2 suggest 1N914 however you may try other diodes like 1N4148.
- D3 requires a 1N1N4739 9.1v Zener diode or similar Zener. Do not substitute.
- IC2 requires a V3207D chip. You may try an MN3207 but it is not recommended unless you are certain it is authentic and works.
- IC3 requires a V3102D chip. The same applies here as well.
- IC4 requires a TL022 chip. Do not substitute. This is not a typo.



Build Notes:

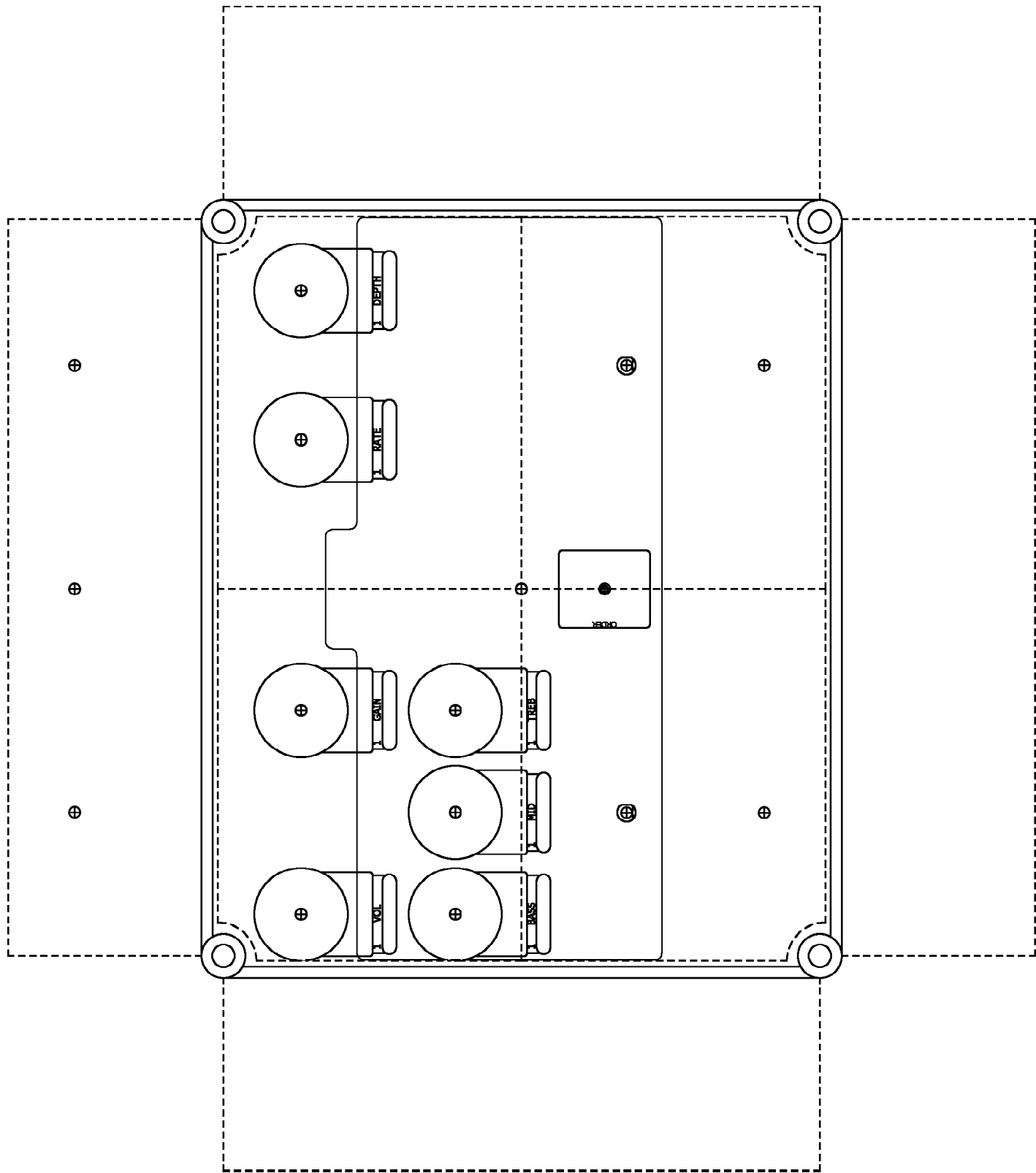
1. There are two (CLR) Current Limiting Resistors crucial to protect and adjust the brightness of their corresponding status LED. You may use a value of 1k8 (Bright) to 4k7 (Dim).



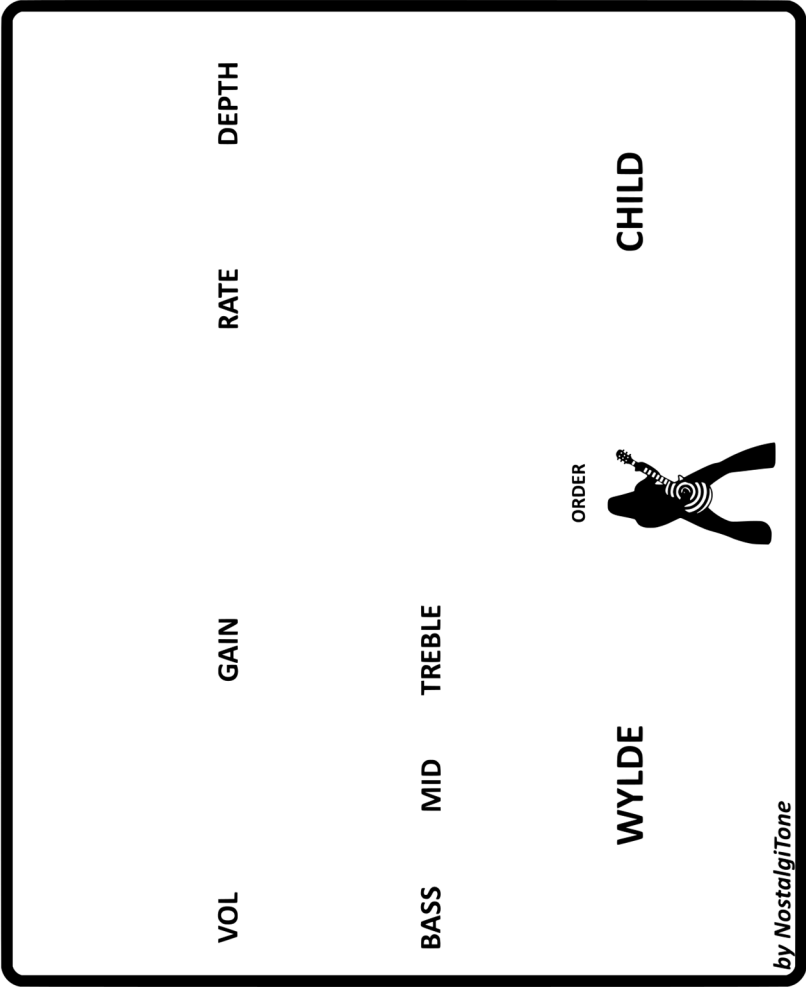
Easy Wiring Diagram



*This Build Document, PCB, Artwork and Schematic image are property of ©GuitarPCB.com
All copyrights, trademarks and artworks remain the property of their owners.
Any company or product names used are for identification and educational purposes only.
GuitarPCB is in no way affiliated with any said companies and are not to be misrepresented.*



1590XX or 1790NS Drill Template (Print without scaling)



Free Art courtesy of GuitarPCB.